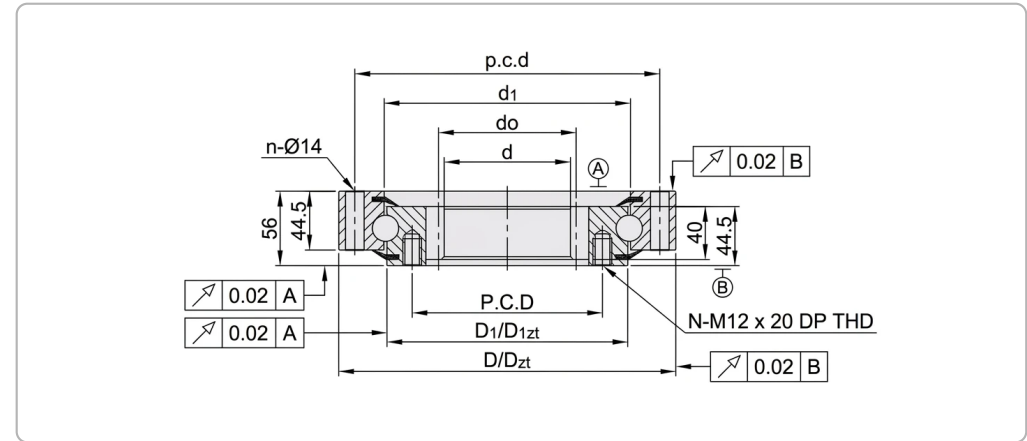




Product View



Section Drawing

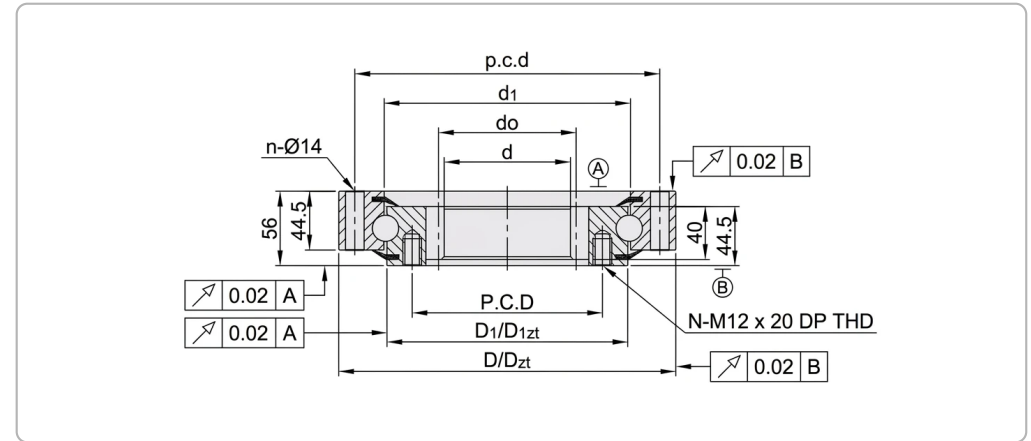
Technical Parameters

Parameter	Value
Contact Type	4-Point Contact
Gear Type	External Gear Type
Precision Class	P5
Sealing	Rubber seals on both sides
Material	SUJ2 (GCr15)
Operating temperature	-20°C to +80°C
Running Accuracy	Radial & Axial Run-out ≤ 0.02 mm
Raceway Hardness	58-62 HRC
Bore Diameter (d)	342 mm
Bore Diameter tolerance	0.5mm to 0
Height (H)	56 mm
Outside Diameter (D)	503.3 mm
Width outer ring (ha)	44.5 mm
Width inner ring (hi)	44.5 mm
Width gearing (b)	40 mm
Outer Ring Pilot Diameter (Dzt)	344 mm
Inner diameter outer ring (d1)	415.5 mm
Inner diameter outer ring tolerance	0.5mm to 0
Outside diameter inner ring (D1)	412.5 mm

Parameter	Value
Outside diameter inner ring tolerance	0.5mm to 0
Inner Ring Pilot (D1zt)	417 mm
Pitch circle diameter gearing (do)	495 mm
Module of gearing (M)	5 mm
Number of teeth (Z)	99
Pressure Angle	20°
Pitchcircle diameter fixing holes outer ring (p.c.d)	455 mm
Number of fixing holes in outer ring (n)	20
Fixing bore	14 mm
Pitchcircle diameter fixing holes inner ring (P.C.D)	368 mm
Number of fixing holes in inner ring (n)	24
Threaded fixing bore	M12
Thread depth fixing hole	20 mm
Basic dynamic load rating, axial (Ca)	169 KN
Basic static load rating, axial (C0a)	560 KN
Basic dynamic load rating, radial (Cr)	111 KN
Basic static load rating, radial (C0r)	248 KN
Radial Clearance	0-0.05 mm
Axial Clearance	0-0.08 mm



Product View



Section Drawing

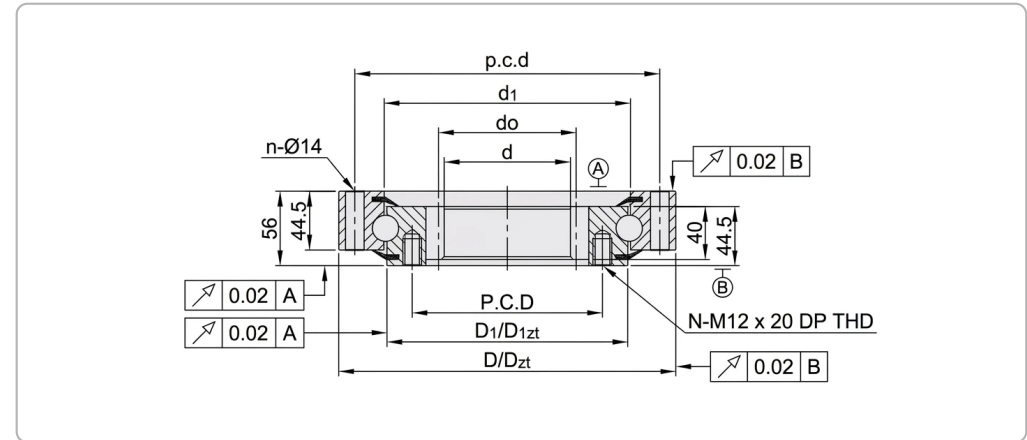
Technical Parameters

Parameter	Value
Contact Type	4-Point Contact
Gear Type	External Gear Type
Precision Class	P5
Sealing	Rubber seals on both sides
Material	SUJ2 (GCr15)
Operating temperature	-20°C to +80°C
Running Accuracy	Radial & Axial Run-out ≤ 0.02 mm
Raceway Hardness	58-62 HRC
Bore Diameter (d)	472 mm
Bore Diameter tolerance	0.5mm to 0
Height (H)	56 mm
Outside Diameter (D)	640.3 mm
Width outer ring (ha)	44.5 mm
Width inner ring (hi)	44.5 mm
Width gearing (b)	40 mm
Outer Ring Pilot Diameter (Dzt)	474 mm
Inner diameter outer ring (d1)	545.5 mm
Inner diameter outer ring tolerance	0.5mm to 0
Outside diameter inner ring (D1)	542.5 mm

Parameter	Value
Outside diameter inner ring tolerance	0.5mm to 0
Inner Ring Pilot (D1zt)	547 mm
Pitch circle diameter gearing (do)	630 mm
Module of gearing (M)	6 mm
Number of teeth (Z)	105
Pressure Angle	20°
Pitchcircle diameter fixing holes outer ring (p.c.d)	585 mm
Number of fixing holes in outer ring (n)	28
Fixing bore	14 mm
Pitchcircle diameter fixing holes inner ring (P.C.D)	498 mm
Number of fixing holes in inner ring (n)	32
Threaded fixing bore	M12
Thread depth fixing hole	20 mm
Basic dynamic load rating, axial (Ca)	188 KN
Basic static load rating, axial (C0a)	740 KN
Basic dynamic load rating, radial (Cr)	123 KN
Basic static load rating, radial (C0r)	325 KN
Radial Clearance	0-0.05 mm
Axial Clearance	0-0.08 mm



Product View



Section Drawing

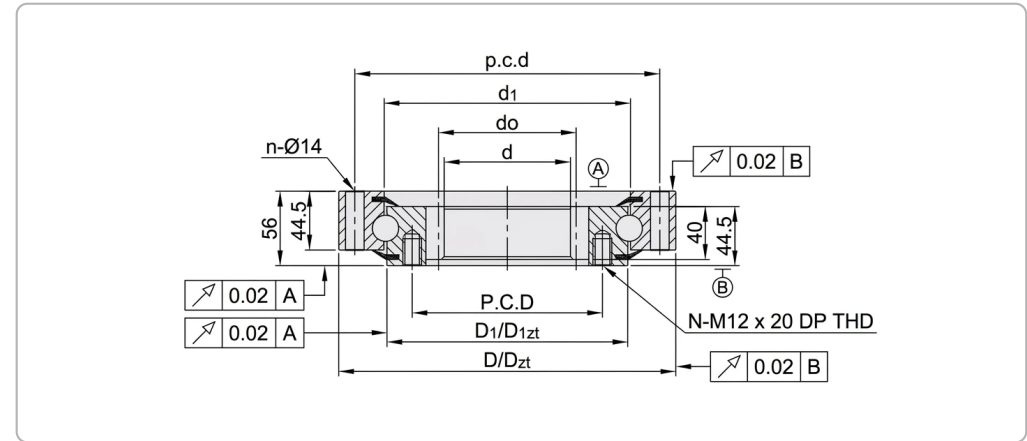
Technical Parameters

Parameter	Value
Contact Type	4-Point Contact
Gear Type	External Gear Type
Precision Class	P5
Sealing	Rubber seals on both sides
Material	SUJ2 (GCr15)
Operating temperature	-20°C to +80°C
Running Accuracy	Radial & Axial Run-out ≤ 0.02 mm
Raceway Hardness	58-62 HRC
Bore Diameter (d)	572 mm
Bore Diameter tolerance	0.6mm to 0
Height (H)	56 mm
Outside Diameter (D)	742.3 mm
Width outer ring (ha)	44.5 mm
Width inner ring (hi)	44.5 mm
Width gearing (b)	40 mm
Outer Ring Pilot Diameter (Dzt)	574 mm
Inner diameter outer ring (d1)	645.5 mm
Inner diameter outer ring tolerance	0.6mm to 0
Outside diameter inner ring (D1)	642.5 mm

Parameter	Value
Outside diameter inner ring tolerance	0.6mm to 0
Inner Ring Pilot (D1zt)	647 mm
Pitch circle diameter gearing (do)	732 mm
Module of gearing (M)	6 mm
Number of teeth (Z)	122
Pressure Angle	20°
Pitchcircle diameter fixing holes outer ring (p.c.d)	685 mm
Number of fixing holes in outer ring (n)	32
Fixing bore	14 mm
Pitchcircle diameter fixing holes inner ring (P.C.D)	598 mm
Number of fixing holes in inner ring (n)	36
Threaded fixing bore	M12
Thread depth fixing hole	20 mm
Basic dynamic load rating, axial (Ca)	200 KN
Basic static load rating, axial (C0a)	880 KN
Basic dynamic load rating, radial (Cr)	131 KN
Basic static load rating, radial (C0r)	385 KN
Radial Clearance	0-0.05 mm
Axial Clearance	0-0.08 mm



Product View



Section Drawing

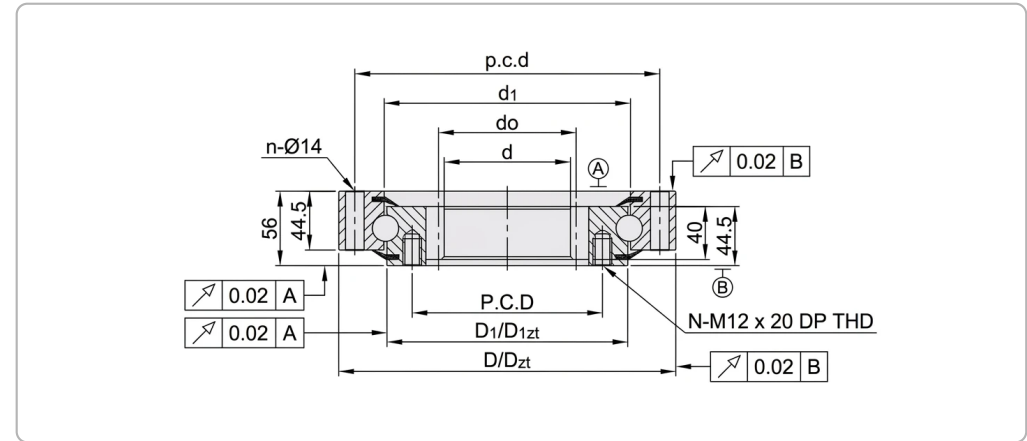
Technical Parameters

Parameter	Value
Contact Type	4-Point Contact
Gear Type	External Gear Type
Precision Class	P5
Sealing	Rubber seals on both sides
Material	SUJ2 (GCr15)
Operating temperature	-20°C to +80°C
Running Accuracy	Radial & Axial Run-out ≤ 0.02 mm
Raceway Hardness	58-62 HRC
Bore Diameter (d)	672 mm
Bore Diameter tolerance	0.6mm to 0
Height (H)	56 mm
Outside Diameter (D)	838.1 mm
Width outer ring (ha)	44.5 mm
Width inner ring (hi)	44.5 mm
Width gearing (b)	40 mm
Outer Ring Pilot Diameter (Dzt)	674 mm
Inner diameter outer ring (d1)	745.5 mm
Inner diameter outer ring tolerance	0.6mm to 0
Outside diameter inner ring (D1)	742.5 mm

Parameter	Value
Outside diameter inner ring tolerance	0.6mm to 0
Inner Ring Pilot (D1zt)	747 mm
Pitch circle diameter gearing (do)	828 mm
Module of gearing (M)	6 mm
Number of teeth (Z)	138
Pressure Angle	20°
Pitchcircle diameter fixing holes outer ring (p.c.d)	785 mm
Number of fixing holes in outer ring (n)	36
Fixing bore	14 mm
Pitchcircle diameter fixing holes inner ring (P.C.D)	698 mm
Number of fixing holes in inner ring (n)	40
Threaded fixing bore	M12
Thread depth fixing hole	20 mm
Basic dynamic load rating, axial (Ca)	211 KN
Basic static load rating, axial (C0a)	1010 KN
Basic dynamic load rating, radial (Cr)	138 KN
Basic static load rating, radial (C0r)	445 KN
Radial Clearance	0-0.05 mm
Axial Clearance	0-0.08 mm



Product View



Section Drawing

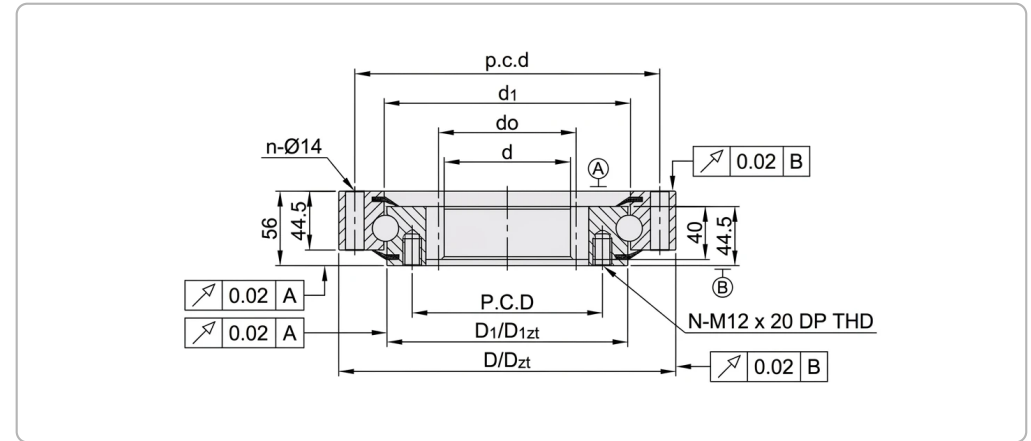
Technical Parameters

Parameter	Value
Contact Type	4-Point Contact
Gear Type	External Gear Type
Precision Class	P5
Sealing	Rubber seals on both sides
Material	SUJ2 (GCr15)
Operating temperature	-20°C to +80°C
Running Accuracy	Radial & Axial Run-out ≤ 0.02 mm
Raceway Hardness	58-62 HRC
Bore Diameter (d)	772 mm
Bore Diameter tolerance	0.6mm to 0
Height (H)	56 mm
Outside Diameter (D)	950.1 mm
Width outer ring (ha)	44.5 mm
Width inner ring (hi)	44.5 mm
Width gearing (b)	40 mm
Outer Ring Pilot Diameter (Dzt)	774 mm
Inner diameter outer ring (d1)	845.5 mm
Inner diameter outer ring tolerance	0.6mm to 0
Outside diameter inner ring (D1)	842.5 mm

Parameter	Value
Outside diameter inner ring tolerance	0.6mm to 0
Inner Ring Pilot (D1zt)	847 mm
Pitch circle diameter gearing (do)	936 mm
Module of gearing (M)	8 mm
Number of teeth (Z)	117
Pressure Angle	20°
Pitchcircle diameter fixing holes outer ring (p.c.d)	885 mm
Number of fixing holes in outer ring (n)	36
Fixing bore	14 mm
Pitchcircle diameter fixing holes inner ring (P.C.D)	798 mm
Number of fixing holes in inner ring (n)	40
Threaded fixing bore	M12
Thread depth fixing hole	20 mm
Basic dynamic load rating, axial (Ca)	222 KN
Basic static load rating, axial (C0a)	1150 KN
Basic dynamic load rating, radial (Cr)	145 KN
Basic static load rating, radial (C0r)	510 KN
Radial Clearance	0-0.05 mm
Axial Clearance	0-0.08 mm



Product View



Section Drawing

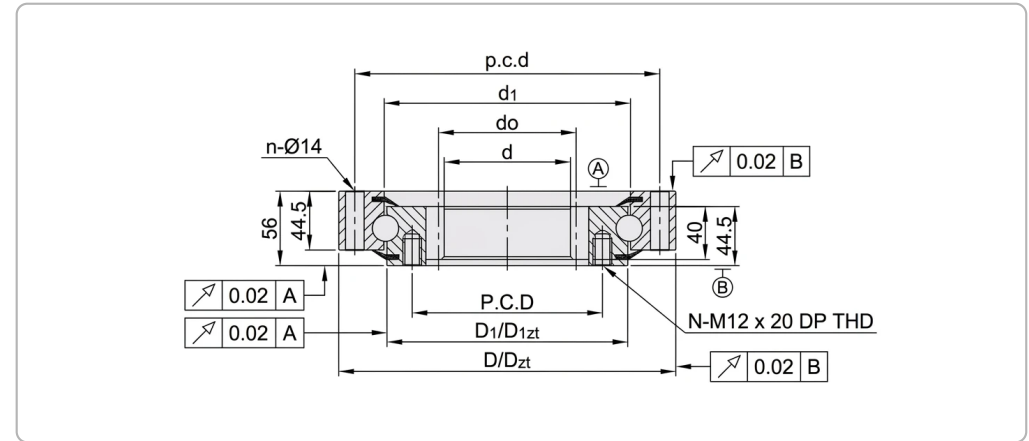
Technical Parameters

Parameter	Value
Contact Type	4-Point Contact
Gear Type	External Gear Type
Precision Class	P5
Sealing	Rubber seals on both sides
Material	SUJ2 (GCr15)
Operating temperature	-20°C to +80°C
Running Accuracy	Radial & Axial Run-out ≤ 0.02 mm
Raceway Hardness	58-62 HRC
Bore Diameter (d)	872 mm
Bore Diameter tolerance	0.7mm to 0
Height (H)	56 mm
Outside Diameter (D)	1046.1 mm
Width outer ring (h _a)	44.5 mm
Width inner ring (h _i)	44.5 mm
Width gearing (b)	40 mm
Outer Ring Pilot Diameter (D _{zt})	874 mm
Inner diameter outer ring (d ₁)	945.5 mm
Inner diameter outer ring tolerance	0.7mm to 0
Outside diameter inner ring (D ₁)	942.5 mm

Parameter	Value
Outside diameter inner ring tolerance	0.7mm to 0
Inner Ring Pilot (D _{1zt})	947 mm
Pitch circle diameter gearing (d _o)	1032 mm
Module of gearing (M)	8 mm
Number of teeth (Z)	129
Pressure Angle	20°
Pitchcircle diameter fixing holes outer ring (p.c.d)	985 mm
Number of fixing holes in outer ring (n)	40
Fixing bore	14 mm
Pitchcircle diameter fixing holes inner ring (P.C.D)	898 mm
Number of fixing holes in inner ring (n)	44
Threaded fixing bore	M12
Thread depth fixing hole	20 mm
Basic dynamic load rating, axial (C _a)	231 KN
Basic static load rating, axial (C _{0a})	1280 KN
Basic dynamic load rating, radial (C _r)	151 KN
Basic static load rating, radial (C _{0r})	570 KN
Radial Clearance	0-0.05 mm
Axial Clearance	0-0.08 mm



Product View



Section Drawing

Technical Parameters

Parameter	Value
Contact Type	4-Point Contact
Gear Type	External Gear Type
Precision Class	P5
Sealing	Rubber seals on both sides
Material	SUJ2 (GCr15)
Operating temperature	-20°C to +80°C
Running Accuracy	Radial & Axial Run-out $\leq 0.02 \text{ mm}$
Raceway Hardness	58-62 HRC
Bore Diameter (d)	1022 mm
Bore Diameter tolerance	0.7mm to 0
Height (H)	56 mm
Outside Diameter (D)	1198.1 mm
Width outer ring (ha)	44.5 mm
Width inner ring (hi)	44.5 mm
Width gearing (b)	40 mm
Outer Ring Pilot Diameter (Dzt)	1024 mm
Inner diameter outer ring (d1)	1095.5 mm
Inner diameter outer ring tolerance	0.7mm to 0
Outside diameter inner ring (D1)	1092.5 mm

Parameter	Value
Outside diameter inner ring tolerance	0.7mm to 0
Inner Ring Pilot (D1zt)	1097 mm
Pitch circle diameter gearing (do)	1184 mm
Module of gearing (M)	8 mm
Number of teeth (Z)	148
Pressure Angle	20°
Pitchcircle diameter fixing holes outer ring (p.c.d)	1135 mm
Number of fixing holes in outer ring (n)	44
Fixing bore	14 mm
Pitchcircle diameter fixing holes inner ring (P.C.D)	1048 mm
Number of fixing holes in inner ring (n)	48
Threaded fixing bore	M12
Thread depth fixing hole	20 mm
Basic dynamic load rating, axial (Ca)	244 KN
Basic static load rating, axial (C0a)	1490 KN
Basic dynamic load rating, radial (Cr)	160 KN
Basic static load rating, radial (C0r)	660 KN
Radial Clearance	0-0.05 mm
Axial Clearance	0-0.08 mm